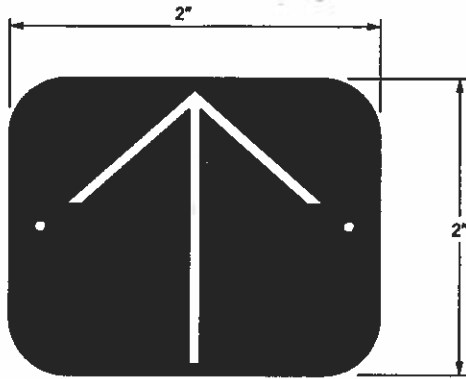
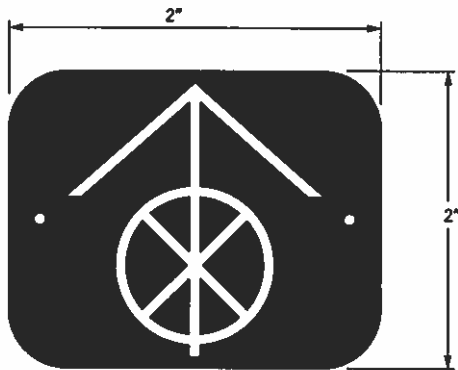


DEFECTIVE POLE
MARKING PROCEDURE

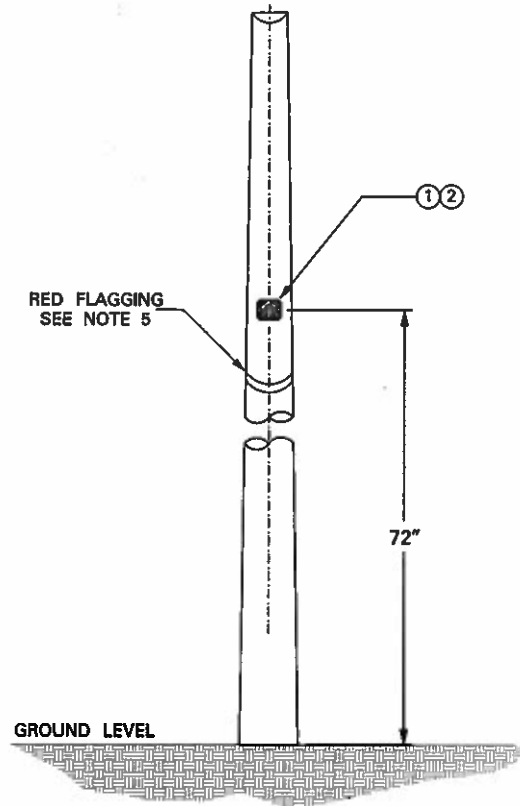
COPYRIGHT ONCOR ELECTRIC DELIVERY COMPANY 2010 ALL RIGHTS RESERVED



POLE TAG, TYPE A



POLE TAG, TYPE B



NOTES:

1. PLACE TAG ON ROAD SIDE OF POLE JUST BELOW THE POLE NUMBER OR AT APPROXIMATELY SIX (6) FEET ABOVE THE GROUND LINE IF THE POLE IS NOT NUMBERED.
2. REJECT TAG - TYPE A - INTENDED FOR MARKING REJECT POLES THAT HAVE BEEN INSPECTED BUT DO NOT REQUIRE IMMEDIATE ACTION. IT IS A WARNING TO EMPLOYEES THAT THE POLE IS NOT TO BE CLIMBED OR WORKED WITHOUT BEING TEMPORARILY SUPPORTED.
3. REJECT TAG - TYPE B - INTENDED FOR MARKING REJECT POLES THAT HAVE SEVERE DECAY OR DAMAGE AND DO REQUIRE IMMEDIATE ACTION. IT IS A WARNING TO EMPLOYEES THAT THE POLE IS NOT TO BE CLIMBED OR WORKED WITHOUT BEING TEMPORARILY SUPPORTED. DOUBLE TYPE "B" TAGS POINTED IN THE SAME DIRECTION INDICATE THAT A POLE IS IN EMINENT DANGER OF FAILING.
4. IF THE REJECT POLE IS DEFECTIVE IN THE GROUND LINE SECTION, THE TAG SHOULD BE PLACED WITH THE ARROW POINTING DOWNWARD. IF THE REJECT POLE IS DEFECTIVE IN THE UPPER PORTION, THE TAG SHOULD BE PLACED WITH THE ARROW POINTING UPWARD. IF THE REJECT POLE IS DEFECTIVE IN BOTH SECTIONS, THEN A DOUBLE SET OF TAGS SHOULD BE USED WITH ARROWS POINTING IN BOTH DIRECTIONS.
5. REJECT POLES THAT ARE NOT CANDIDATES FOR RESTORATION SHALL BE WRAPPED AT EYE LEVEL WITH RED FLAGGING.
6. REFERENCE 106-021.

ITEM	QTY	DESCRIPTION	TSN/REF	CU	MU
1		POLE TAG, TYPE A, WHITE ARROW ON RED BACKGROUND	310190	REPLACETAG	
1		POLE TAG, TYPE B, WHITE ARROW AND X IN CIRCLE ON RED BACKGROUND	310191	DANGERTAG	
2		NAIL, COMMON, GALVANIZED (INCLUDED WITH TAG CU)	314431		

APPROVED BY

